

BALDOR® • RELIANCE 

Product Information Packet

EM4314T

60HP, 1800RPM, 60HZ, 364T, TEFC

Part Detail							
Revision:	-	Status:	PRD/A	Change #:		Proprietary:	No
Type:	AC	Elec. Spec:	A36WG4075-DES	CD Diagram:	CD0180	Mfg Plant:	
Mech. Spec:		Layout:	A36C-0000000014	Poles:	04	Created Date:	06-23-2020
Base:		Eff. Date:	06-23-2020	Leads:	3#4,6#6		

Specs			
Catalog Number:	EM4314T	Heater Indicator:	No Heater
Enclosure:	TEFC	Insulation Class:	F
Frame:	364T	Inverter Code:	Inverter Ready
Frame Material:	Iron	IP Rating:	NONE
Output @ Frequency:	60.000 HP @ 60 HZ	KVA Code:	G
Synchronous Speed @ Frequency:	1800 RPM @ 60 HZ	Lifting Lugs:	No Lifting Lugs
Voltage @ Frequency:	460.0 V @ 60 HZ	Motor Lead Quantity/Wire Size:	3 @ 4 AWG
	230.0 V @ 60 HZ	Motor Type:	A3658M
XP Class and Group:	None	Mounting Arrangement:	F1
XP Division:	Not Applicable	Power Factor:	84
Agency Approvals:	UR	Pulley End Bearing Type:	Ball
Auxillary Box:	No Auxillary Box	Pulley Face Code:	Standard
Base Indicator:	Rigid	Shaft Ground Indicator:	No Shaft Grounding
Bearing Grease Type:	Polyrex EM (-20F +300F)	Shaft Rotation:	Reversible
Current @ Voltage:	152.000 A @ 208.0 V	Shaft Slinger Indicator:	No Slinger
Design Code:	B	Speed Code:	Single Speed
Drip Cover:	No Drip Cover	Motor Standards:	NEMA
Duty Rating:	CONT	Starting Method:	Direct on line

Enclosure Modification:	Severe Duty Features	Thermal Device - Bearing:	None
Feedback Device:	NO FEEDBACK	Thermal Device - Winding:	None

Nameplate NP3979LUA													
CAT # EM4314T			SER			CC 010A							
SPEC A36C-0000000014			RATING 40C AMB-CONT										
HZ	VOLTS		AMPS		RPM	HP	CODE	SF	DES	PF	NEMA NOM. EFF		
60	230/460		140/70		1780	60	G	1.15	B	84	%	95.0	%
											%		%
PH 3	CL F	MAX CORR KVAR 15.00			USABLE AT 208V 154			A					
BRG	DE 6313	ODE 6313	ENCL TEFC		FR 364T			IP54					
GREASE POLYREX EM					MTR WT 839					LBS			
USABLE AT 50HZ 50HP 190/380V 138/69A					SF1.0								
INVERTER DUTY		CT 15-60	HZ 4:1	VT 3-60	HZ 20:1	CHP 60-90	HZ 1.5:1	1.0 SF VPWM					
MAX RPM 2700													

Parts List		
Part Number	Description	Quantity
A36WS4075F00	A36WG4075 WOUND STATOR CLASS F	1.000 EA
033050001C	IBOLT - 360	1.000 EA
085918051A	FRME 360 085918020WCB KB	1.000 EA
403783000AE	PIN 3/8"X2"L	1.000 EA
004824018L	RTV 732 CLEAR 10.1 OZTUBE	0.002 LB
A36WG4075-ROTOR	ROTOR CONFIG	1.000 EA
034180012DA	KEY 1X4X1/4X1-1/2 L	1.000 EA
034180034HA	KEY 5/8X5/8X4-1/4 L	1.000 EA
A36SH1000A00	365T TEFC 6313-6313 CLI SHAFT	1.000 EA
603298012A	CAP,LOCKING,313 BRG - 603298011WCA	1.000 EA
603298012B	CAP,NON-LOCKING,313 BRG 603298011WCA	1.000 EA
416821003FP	6313 C3 - - STL ABEC1 S SLUSH	1.000 EA
416821003FP	6313 C3 - - STL ABEC1 S SLUSH	1.000 EA
085922073B	BRKT 360 085922072WCC KB	1.000 EA
034600001AA	BUSH 1/4TO1/8 BLACK	1.000 EA
418150003A	GREASE FITTING CAP	1.000 EA
035000001A	ALFTG 1/8" 1610-BL	1.000 EA
035000001G	GREASE RELIEF FITTING, ALEMITE 317400	1.000 EA
HA4054	SHORT T-DRAIN FITTING, .125" N.P.T.	1.000 EA
415045002E	SLGR	1.000 EA
032018012DK	HHCS 1/2-13X1-1/2 PLTD. 032018012DR	4.000 EA
032018024CK	HHCS 3/8-16X3 PLTD.	3.000 EA
032018012DK	HHCS 1/2-13X1-1/2 PLTD. 032018012DR	4.000 EA
034600001AA	BUSH 1/4TO1/8 BLACK	1.000 EA

Parts List (continued)		
Part Number	Description	Quantity
035000001G	GREASE RELIEF FITTING, ALEMITE 317400	1.000 EA
085922073B	BRKT 360 085922072WCC KB	1.000 EA
415045002E	SLGR	1.000 EA
418150003A	GREASE FITTING CAP	1.000 EA
034530052AB	P/NIP 1/8X6-1/2 GALV.	1.000 EA
HA4054	SHORT T-DRAIN FITTING, .125" N.P.T.	1.000 EA
415096002A	CPLG 1/8 HEX TYPE	1.000 EA
035000001A	ALFTG 1/8" 1610-BL	1.000 EA
032018024CK	HHCS 3/8-16X3 PLTD.	3.000 EA
032018008AK	HHCS 1/4-20X1 PLATED	4.000 EA
078559034A	+F/C A 078559001A - 360	1.000 EA
406099000A	PLUG - FAN COVER 320-440	1.000 EA
415072001B	CLAMP	1.000 EA
702676001C	FAN 360	1.000 EA
033512004LB	HHTTS 1/4-20X1/2 PLTD.	1.000 EA
415000103D	T/LUG #4AWG-1/0AWG W/HOLE FOR .250 BOLT	1.000 EA
077176000L	C/BOX, PAINTED 440	1.000 EA
077176001A	CBOXC, PAINTED 360-400	1.000 EA
043292000AJ	GASK 320-400	1.000 EA
402731001A	GASK 360-440	1.000 EA
032018008CK	HHCS 3/8-16X1L PLATED	4.000 EA
032018005AK	HHCS 1/4-20X5/8 PLATED	4.000 EA
MG1025Y17	WILKOFAS, 789.701, SUPER E PEARL GOLD	0.250 GA
004824003CBY	WILKO PAINT 060.02 - ACTIVATOR	0.063 GA

Product Information Packet: EM4314T - 60HP,1800RPM,60HZ,364T,TEFC

482403003BEF	RUST VETO 342	0.002 GA
LC0181	CONNECTION LABEL	1.000 EA
000692000FP	NP, WARNING LIFT INSTRUCTIONS	1.000 EA
033775004EA	DRSCR #6-1/4 304 S.S.	4.000 EA
000692000VD	LABEL WARNING	1.000 EA
MN416	TAG-INSTAL-MAINT w/wire. (1200/bx) 3/19	1.000 EA
14PA1000	PACKAGING 314 GROUP COMBINED PRINT	1.000 EA
032509020C	CARRIAGE BOLT - 360	3.000 EA
HW1000A32	5/16 FL WASHER WIDE,ID=.344,OD=1.125	3.000 EA
NP3979LUA	SS SUPER-E UR CSA-C-US-EEV NEMA PREM CC	1.000 EA
410700004F	WSHR	1.000 EA
004824015A	GREASE POLYREX EM	0.544 LB

AC Induction Motor Performance Data

Record # 72794

Typical performance - not guaranteed values

Winding: A36WG4075-R001			Type: A3658M			Enclosure: TEFC		
Nameplate Data				460 V, 60 Hz: High Voltage Connection				
Rated Output (HP)	60		Full Load Torque	176.4 LB-FT				
Volts	230/460		Start Configuration	direct on line				
Full Load Amps	140/70		Breakdown Torque	422 LB-FT				
R.P.M.	1780		Pull-up Torque	276 LB-FT				
Hz	60 Phase	3	Locked-rotor Torque	352 LB-FT				
NEMA Design Code	B KVA Code	G	Starting Current	462 A				
Service Factor (S.F.)	1.15		No-load Current	24.8 A				
NEMA Nom. Eff.	95 Power Factor	84	Line-line Res. @ 25°C	0.10816 Ω				
Rating - Duty	40C AMB-CONT		Temp. Rise @ Rated Load	56°C				
S.F. Amps			Temp. Rise @ S.F. Load	70°C				
			Locked-rotor Power Factor	32.3				

Load Characteristics 460 V, 60 Hz, 60 HP

% of Rated Load	25	50	75	100	125	150	S.F.
Power Factor	51	73	81	84	86	85	85
Efficiency	92.6	95.1	95.4	95.2	94.6	93.8	94.8
Speed	1796.4	1792.4	1788	1783.7	1778.3	1772.3	1780
Line amperes	29.7	40.7	54.4	69.7	86.6	105	79.8

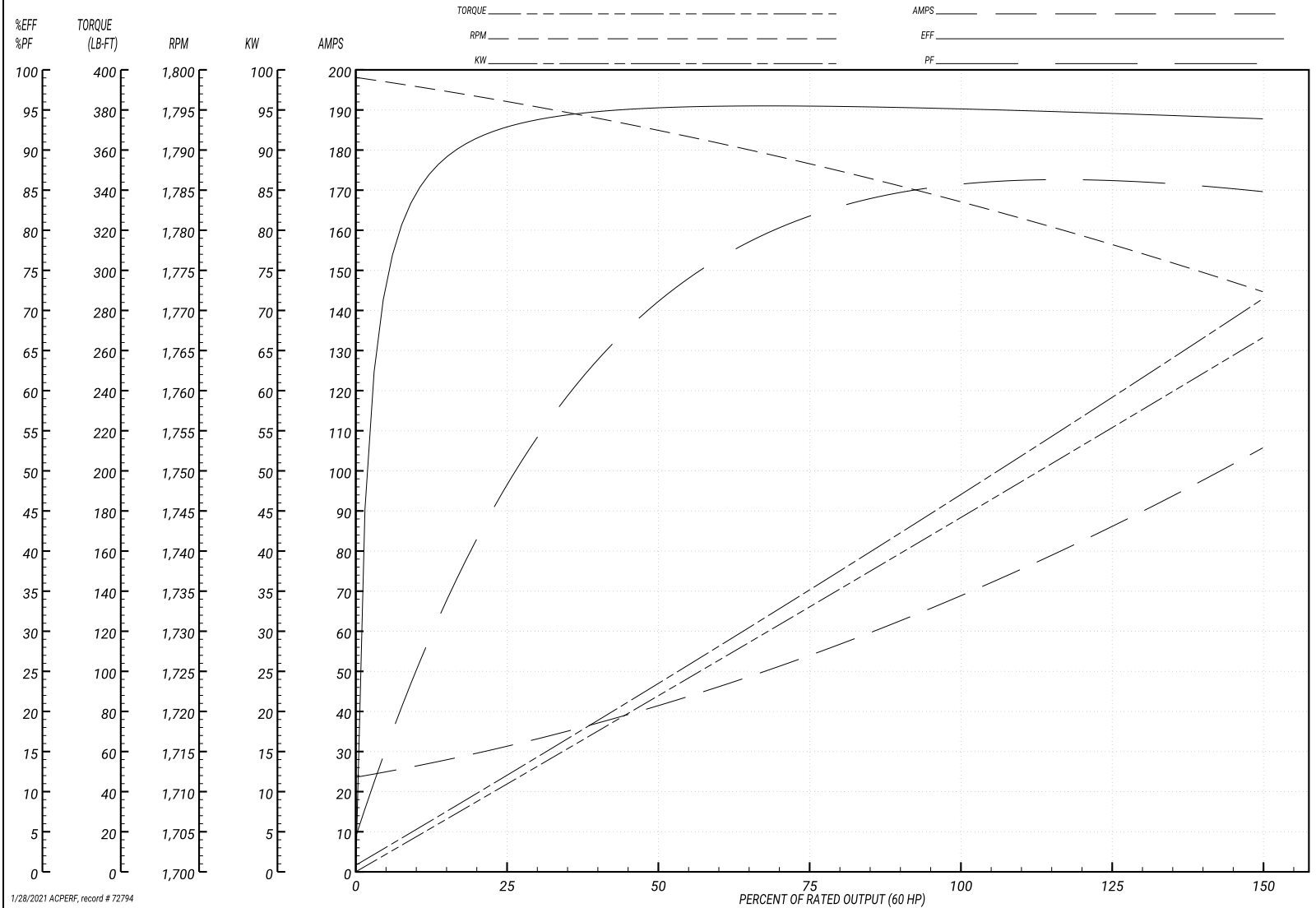
Performance Graph at 460V, 60Hz, 60.0HP Typical performance - Not guaranteed values

ABB Motors and Mechanical Inc.

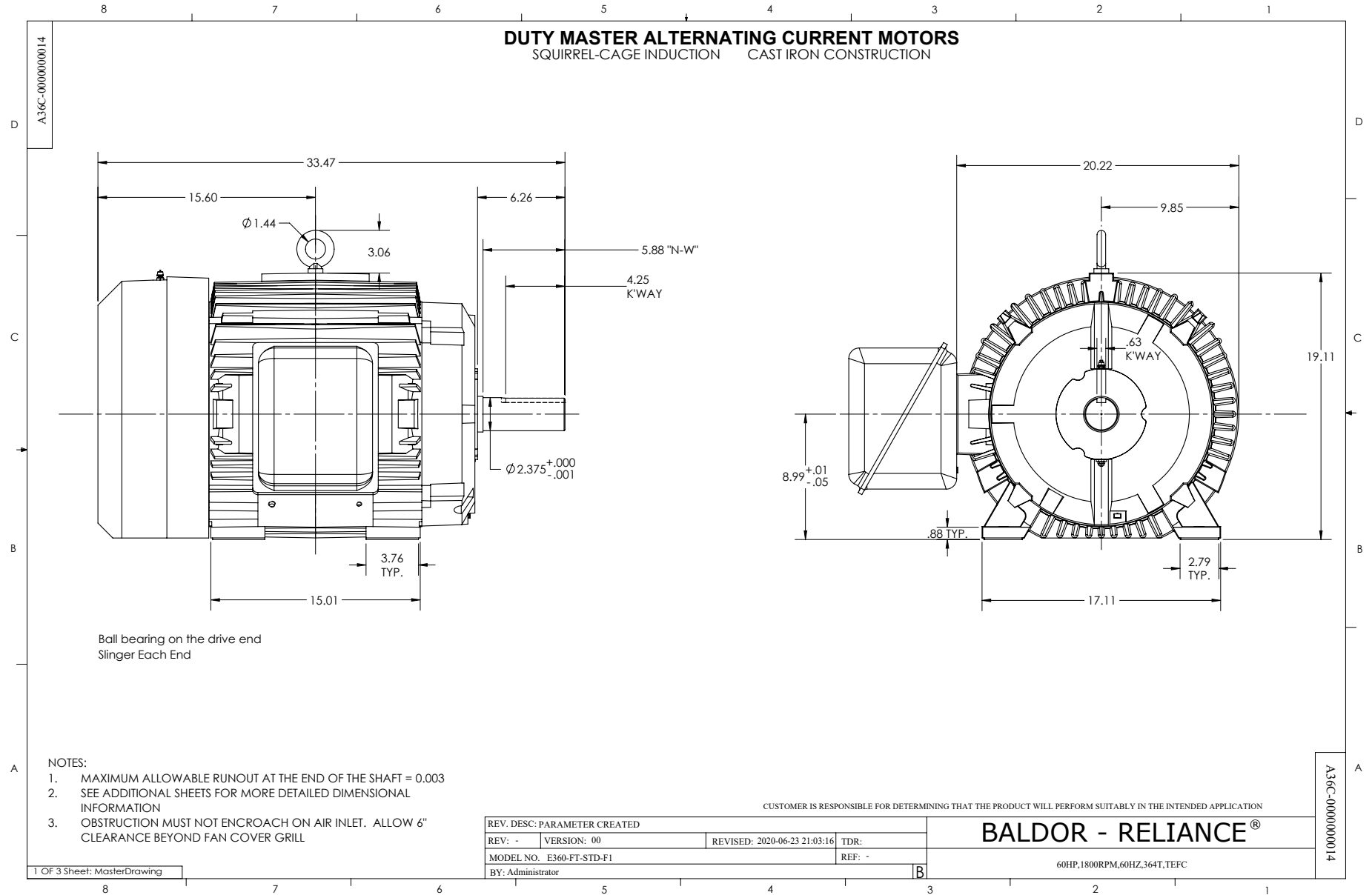
WINDING # A36WG4075

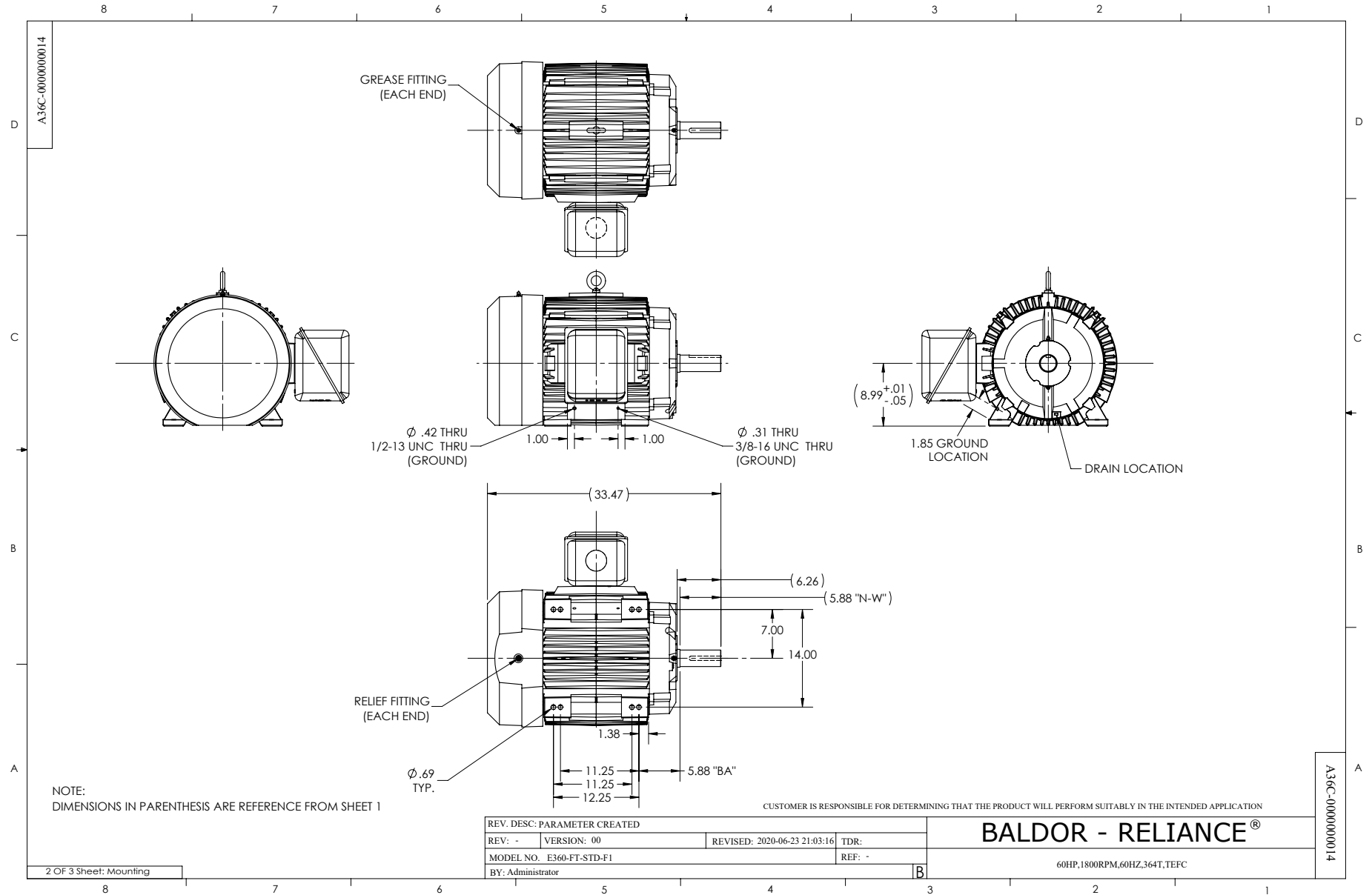
Typical performance - not guaranteed values.

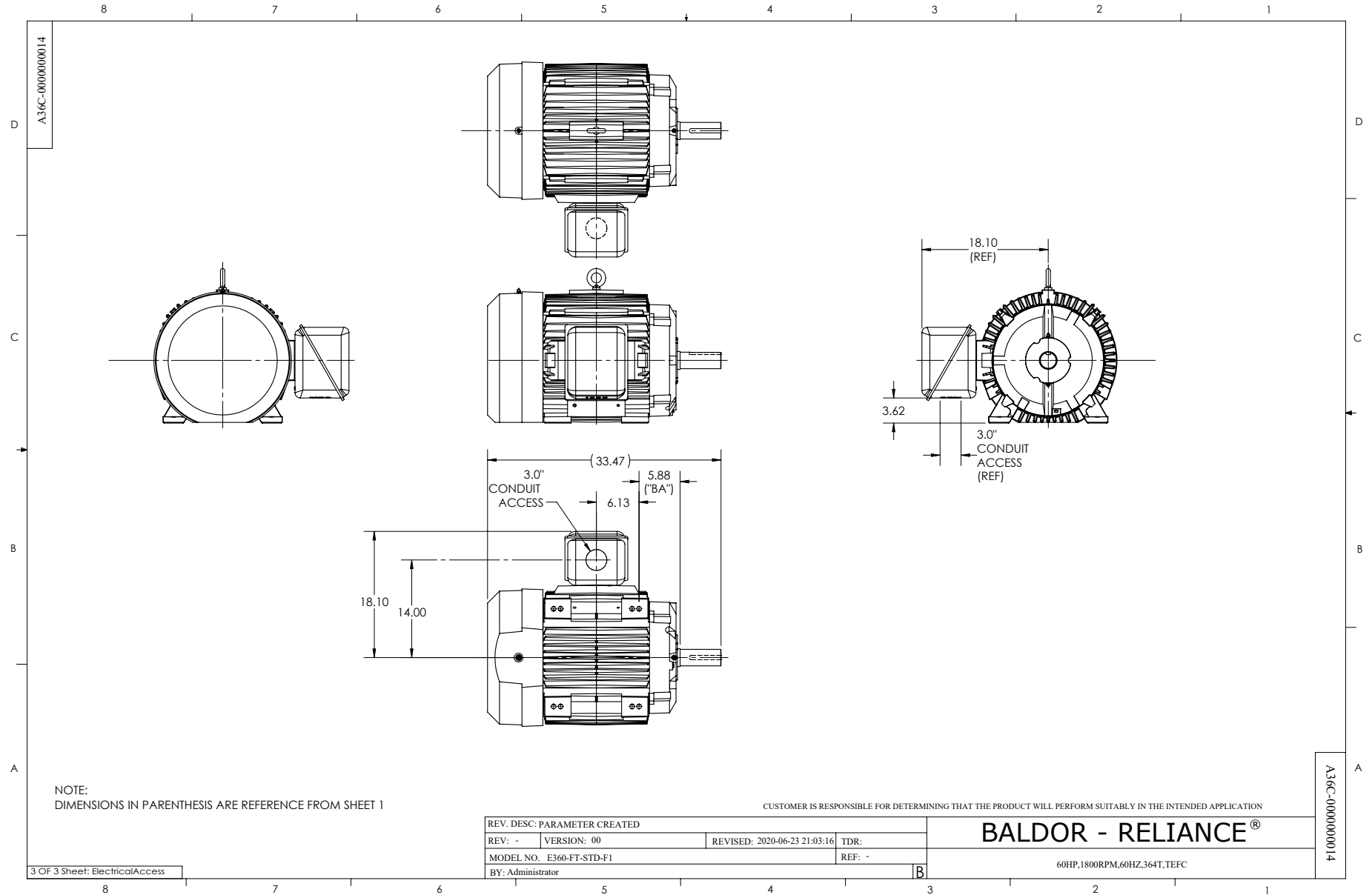
60 HP 3 PH 60 HZ 1780 RPM 460 V A3658M
 TORQUES(LB-FT): PO=422 PU=276 LR=352 LRA=462



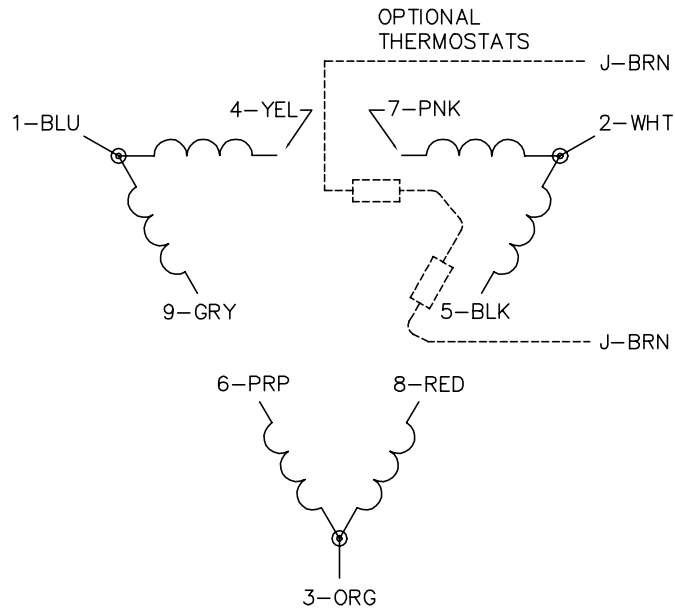
1/28/2021 ACPERF, record # 72794



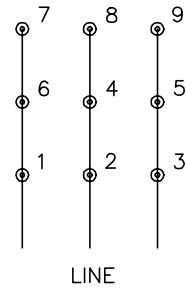




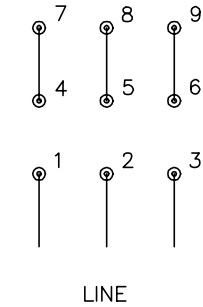
CD0180



LOW VOLTAGE
(2D)



HIGH VOLTAGE
(1D)



NOTES:

1. INTERCHANGE ANY TWO LINE LEADS TO REVERSE ROTATION.
2. OPTIONAL THERMOSTATS ARE PROVIDED WHEN SPECIFIED.
3. ACTUAL NUMBER OF INTERNAL PARALLEL CIRCUITS MAY BE A MULTIPLE OF THOSE SHOWN ABOVE.
4. LEAD COLORS ARE OPTIONAL. LEADS MUST ALWAYS BE NUMBERED AS SHOWN.

CD0180

REV. DESC: ADD CLASS CONN00000007		
REV. LTR: D	VERSION: 01	TDR: 000001099922
FILE: \AAA\00005\148	REVISED: 10:25:29 02/19/2019	BY: ENBRIRO
MTL: -	© □	

BALDOR - RELIANCE®

3PH, DV, 9 LEADS, DELTA CONNECTION

SH 1 of 1